

ELASTO'PUNCH 100D

WALL PROTECTION RAIL - 100 MM HIGH



APPLICATIONS

The Elasto'Punch 100D protection rail is designed to protect your industrial buildings. Its black elastomer material enables it to be used both indoor and outdoor.

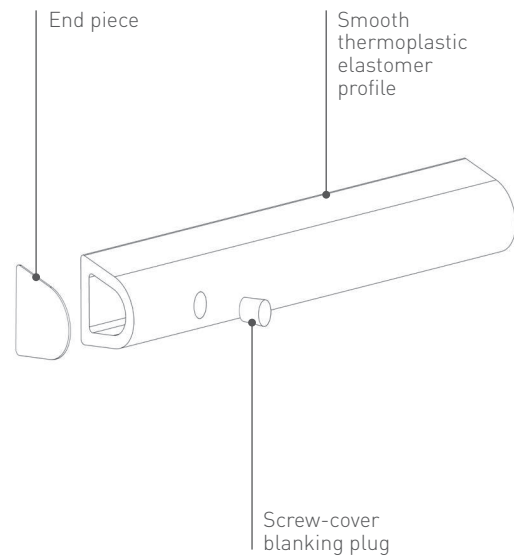
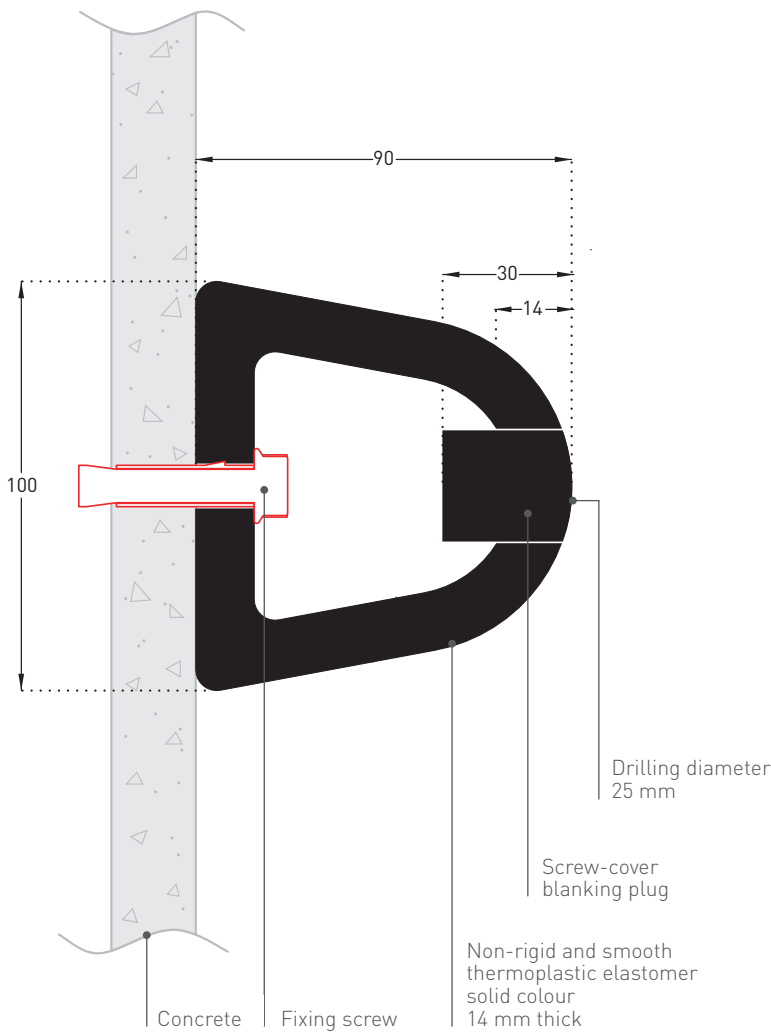
Ideally installed on loading docks, it will absorb impacts from heavy goods vehicles.

DESCRIPTION

- Model: Elasto'Punch 100D protection rail
- Height: 100 mm
- Depth: 90 mm
- Length: 3 m
- Material: non-rigid thermoplastic elastomer, 14 mm thick, solid colour
- Surface finish: smooth
- Fixing: by screwing
- Colour: black

SPECIFICATION

- Description: D-shaped round protection rail in non-rigid and smooth thermoplastic elastomer (Elasto'Punch 100D as manufactured by SPM) comprising a 100 mm height profile, 90 mm deep, solid colour and 14 mm thick, giving it excellent impact-resistance properties and good ageing and UV resistance. Finish is provided by end pieces and screw-cover blanking plugs in smooth thermoplastic elastomer.
- Environment: no heavy metals are used in its formulation, nor PBT/BPA. 100% of the product are recyclable.
- Colour: black.
- Installation method: by screwing.



Specifications and section drawings on our website www.spm-international.com



bimobject BIMObject in Revit and Archicad